



✓ Applications

Shops, showcases, lobbies, accent lighting

» Features

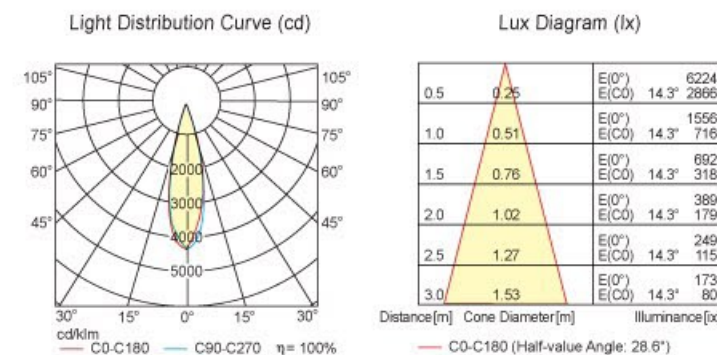
1. Dimmable
2. High power efficacy
3. Long life span
4. High intensity
5. Cool beam technology
6. Mercury and lead are not present
7. Almost zero UV and IR emissions
8. Universal burning positions
9. 30 degree tiltable head

★ Benefits

1. Dim with a normal TRIAC dimmer to easily create suitable ambience
2. Up to 70% energy saving and shorten payback period*
3. Up to 17 times longer life span and therefore reduce maintenance costs*
4. Excellent thermal management that enhance reliability, up to 65% less heat generated*
5. Ready to replace existing halogen fixtures in the market
6. Allow better aiming position
7. Light up instantly

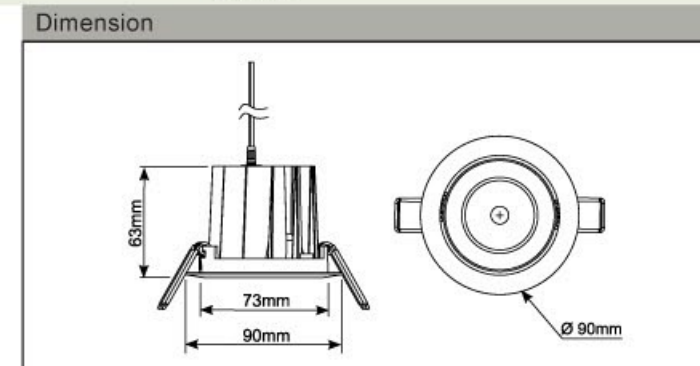
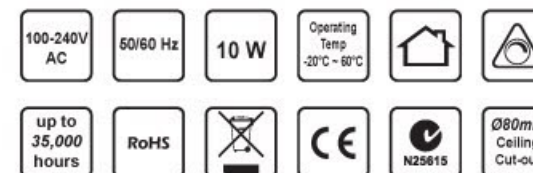
*Compared with 35W halogen MR16 fixture.

The VORTEX MR16 LED fixture with single LED light source, gives light performance as similar halogen effect as of a 35W traditional MR16 halogen fixture. Its 30-degree tiltable head allows better aiming position. The product is supplied with AC to DC power supply.



Warm White

Specifications		
Product Name	Vortex MR16 LED Fixture	
Part No.	2024050105	2024050205
Color	Warm White	
Color Temp (CCT)	2800 K	
Color Rendering Index (CRI)	80 Ra	
Input Voltage	12 - 16V DC	
Rated Current	600mA Constant	
Rated Frequency	50/60 Hz	
Lumen Output	400 lm	
Total Power	10 W	
Lumen Efficacy	40 lm/W	
Central Intensity	1500 cd	
Beam Angle	24°	
Vertical Tilt Angle	±15° (Total 30°)	
Life Span	35,000 hrs	
Operating Temperature	-20°C ~ +60°C	
Storage Temperature	-30°C ~ +65°C	
Application	Indoor	
IP Rating	IP20	
Dimmable	No	Yes
RoHS	Yes	
Material		
LED Brand	CREE LEDs	
Housing	Aluminum	
Housing Color	Silver	
Optics	PMMA	



LED FIXTURES

LED FIXTURES

