

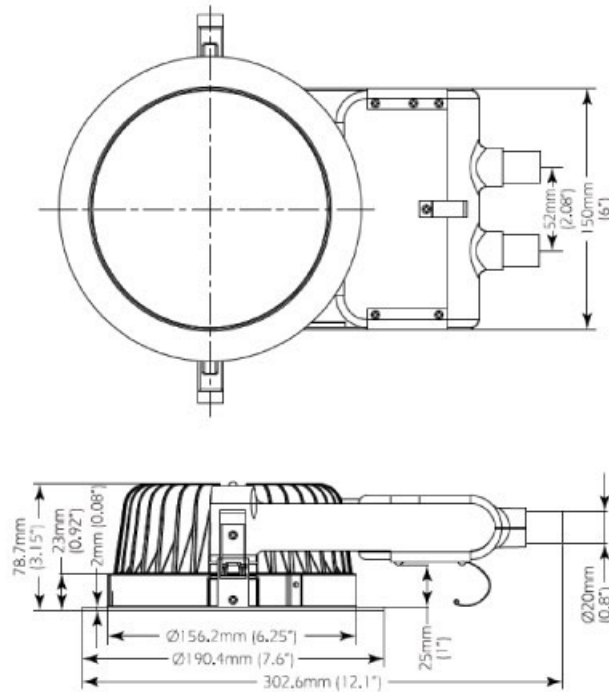
ROUND 150 SPECIFICATIONS



Product Name: Round 150

Specifications						
Part No.	2018050105	2018070105	2018060105	2018050129	2018070129	2018060129
Product Description	Round 150 220V AC 16W 650lm / 2800K LED Downlight	Round 150 220V AC 16W 700lm / 4000K LED Downlight	Round 150 220V AC 16W 700lm / 6000K LED Downlight	Round 150 220V AC 16W 650lm / 2800K LED Downlight	Round 150 220V AC 16W 700lm / 4000K LED Downlight	Round 150 220V AC 16W 700lm / 6000K LED Downlight
Certification	CE			CCC		
Color	Warm White	Natural White	Daylight	Warm White	Natural White	Daylight
Color Temp (CCT)	2800K	4000K	6000K	2800K	4000K	6000K
Color Rendering Index (Ra)	80					
Input Voltage	220–240 AC					
Rated Current	80mA					
Rated Frequency	50/60 Hz					
Luminous output (lm)	650	700	700	650	700	700
Total Power (W)	16					
Luminous Efficacy (lm/W)	40.6	43.8	43.8	40.6	43.8	43.8
Beam Angle	70°					
Material						
LED Brand	Cree					
Housing	Aluminium with Coating					
Housing Color	White					
Optics	Frosted Plastic (Arcylic)					
Life Span	35,000 hrs					
Operation Temperature	-20°C ~ +55°C					
Storage Temperature	-30°C ~ +65°C					
Use	Indoor					
IP Rating	IP44					
Dimmable	Yes; suggested dimmers: Clipsal - Model#: 32E450UD / Gedi Lighting - Model#: GD-T3002					
RoHS	Yes					

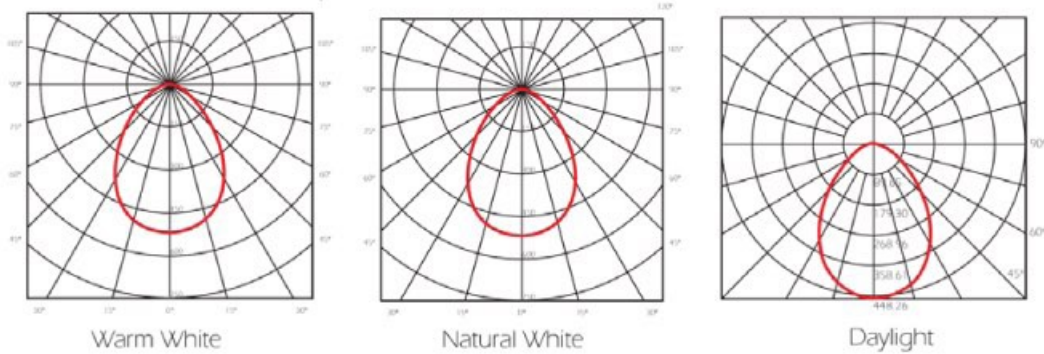
Dimension:



Ceiling Cut-Out Ø176mm

Photometric Data

Light Distribution Curve (cd)



Lux Diagram

